

## Product group 2

Cable entry systems for entering non pre-terminated cables

### Product description



#### At a glance ...

Even when entering standard cables Icotek offers a wide range of products that offer a lot of advantages in comparison to conventional cable glands.

The compact, slim and innovative design of the Icotek system offers a professional appearance and in many applications good strain relief.

Especially suitable for applications where a lot of cables have to be entered into a small space.

#### Benefits ...

**1. High packing density**

The cable entry plates KEL-DPZ and KEL-DP offer the opportunity to enter a large amount of cables through a small space.

**2. Fast and easy assembly**

The installation of cables is done by pushing the cables through the thin, pierceable membrane.

**3. No new punch out tools needed**

The KEL-DP range matches exactly the drilling templates, as well as cut outs according to the standard dimensions for multi pole connectors (for example from Harting, Wieland).

**4. Tight seal**

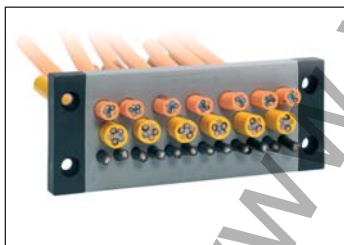
Depending on the product a high sealing rate up to IP 66 can be achieved.

**5. Flexibility**

Due to the large variety of designs and sizes available, there's a solution for every application.

**6. Customized solutions**

If you can't find what you need in our standard product offering, custom solutions are available upon request.



## Product group 2

Cable entry systems for routing non pre-terminated cables

### Chapter content

Cable entry plates KEL-DPZ 24	Page	46 - 47
Cable entry plates KEL-DPZ-B	Page	48
Cable entry plates KEL-DPZ-E	Page	49
Cable entry plates KEL-DPZ round	Page	50 - 51
Cable entry plates KEL-DP 24	Page	52
Cable entry plates KEL-DP-E	Page	53
Cable entry plates KEL-DP round	Page	54
Cable entry inserts KEL-DPF	Page	55
Cable entry inserts KEL-JUMBO flex	Page	56
Cable entry inserts KEL-ULTRA flex	Page	57

# KEL - DPZ 24

## Cable entry plates



Gasket on the front.



Gasket and strain relief on the back.

### Product description

KEL-DPZ entry plates are designed to route and seal standard cables (from 3.2mm – 22mm in diameter) in limited space.

Simply push standard cables through the thin membrane and it's immediately sealed (IP65 / IP66) and strain relieved.

The KEL-DPZ series consists of four different versions. The size DPZ 24 matches exactly the cut-out dimensions of 24-pole standard industrial connectors (pages 46 - 47).

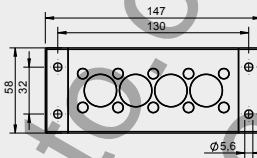
For applications with limited space the new KEL-DPZ-B and KEL-DPZ-E series are ideal. Despite its compact outer dimensions, up to 25 cables from 3.2 to 22 mm can be routed (pages 48 - 49).

The round versions of the KEL-DPZ series have a thread to fit in metric cut-outs from M32 to M63. Thus cut-outs for standard metric cable glands can be used (pages 50 - 51).

The assembly of the KEL-DPZ with cables or pneumatic hoses can be done within seconds. Simply put a small slit in the thin membrane and push the cable through.

ST Plugs (page 29) can be used for sealing pierced membranes if cables are removed.

Description	Type	Order No.	Number of cables	PU
-------------	------	-----------	------------------	----

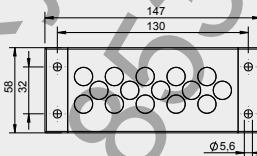


KEL - DPZ  
24 | 14

43700

10x 3.2 - 6.5 mm  
4x 16 - 22 mm

10

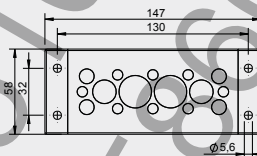


KEL - DPZ  
24 | 15

43720

15x 7.2 - 12 mm

10

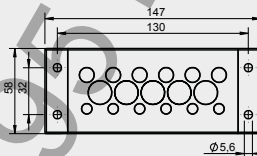


KEL - DPZ  
24 | 16

43725

8x 3.2 - 6.5 mm  
4x 5.0 - 9.7 mm  
2x 9.0 - 16.2 mm  
2x 16 - 22 mm

10



KEL - DPZ  
24 | 17

43705

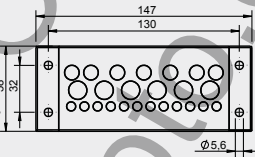
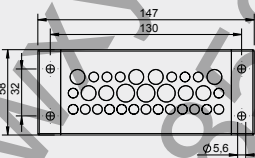
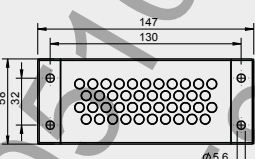
6x 3.2 - 6.5 mm  
6x 5.0 - 10.2 mm  
5x 9.0 - 16.2 mm

10

# KEL - DPZ 24

## Cable entry plates



Type	Order No.	Number of cables	PU	Description
KEL - DPZ 24   25	43710	12x 3.2 - 6.5 mm 7x 4.8 - 9.7 mm 6x 7.5 - 12.0 mm	10	
KEL - DPZ 24   32	43730	3x 7.5 - 12.0 mm 8x 5.0 - 10.2 mm 21x 3.2 - 6.5 mm	10	
KEL - DPZ 24   42	43715	42x 3.2 - 6.5 mm	10	

### Advantages

- Assembly within seconds
- High packing density
- Dual sealing of cables according to IP 65
- Automatic seal and strain relief for the cable

### Specification

Material	Frame: Polyamide
	Sealing plate: Elastomer
Flame class	UL-94 Vo, self-extinguishing
Protection class	IP 65
Temperature	- 40°C to + 90°C (static)
Properties	halogen-free, silicone-free
Cut-out dimensions	35 x 112 mm / page 124   125

### Accessories

Plugs	Page 29
FP Flanged plates	Page 106   111

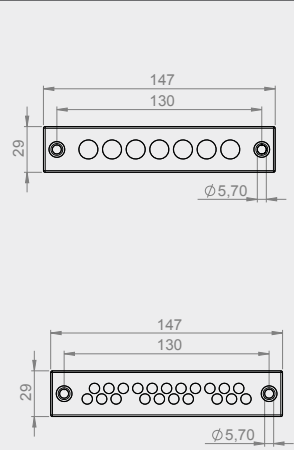


# KEL - DPZ - E

## Cable entry plates



Description	Type	Order No.	Number of cables	PU
-------------	------	-----------	------------------	----



KEL - DPZ - E 112   7	43780	7x 7.5 - 12 mm	10
KEL - DPZ - E 112   21	43790	21x 3.2 - 6.5 mm	10

### Product description

KEL-DPZ-E is designed for routing standard cables (without connectors).

With an area of only 18 x 112 mm, up to 21 cables can be easily routed and sealed according to IP66.

Simply put a small slit in the thin membrane and push the cable through. Once the cable is through the membrane, it is immediately sealed and strain relieved.

ST Plugs (page 29) can be used for sealing pierced membranes if cables are removed.

### Advantages

- Space saving shape
- Dual sealing of cables according to IP 66
- High packing density
- Assembly within seconds

### Specification

Material	Frame: Polyamide
	Sealing plate: Elastomer
Flame class	UL-94 Vo, self-extinguishing
Protection class	IP 66
Temperature	- 40°C to + 90°C (static)
Properties	halogen-free, silicone-free
Cut-out dimensions	18 x 112 mm / page 124   125

# KEL - DPZ round Cable entry plates



Gasket on the front.



Gasket and strain relief on the back.

## Product description

KEL-DPZ entry plates are designed to route and seal standard cables (from 3.2mm – 22mm in diameter) in limited space.

Simply push standard cables through the thin membrane and it's immediately sealed (IP65 / IP66) and strain relieved.

The KEL-DPZ series consists of four different versions. The size DPZ 24 matches exactly the cut-out dimensions of 24-pole standard industrial connectors (pages 46 - 47).

For applications with limited space the new KEL-DPZ-B and KEL-DPZ-E series are ideal.

Despite its compact outer dimensions, up to 25 cables from 3.2 to 22 mm can be routed (pages 48 - 49).

The round versions of the KEL-DPZ series have a thread to fit in metric cut-outs from M32 to M63. Thus cut-outs for standard metric cable glands can be used (pages 50 - 51).

The assembly of the KEL-DPZ with cables or pneumatic hoses can be done within seconds. Simply put a small slit in the thin membrane and push the cable through.

ST Plugs (page 29) can be used for sealing pierced membranes if cables are removed.

Type	Order No.	Number of cables	Thread metric	External diameter	Exceeds cut-out	PU
KEL - DPZ 32   4	43732	3x 3.2 - 6.5 mm 1x 7.2 - 12.5 mm	M 32	44 mm	8.0 mm	10
KEL - DPZ 32   7	43734	7x 3.2 - 6.5 mm	M 32	44 mm	8.0 mm	10
KEL - DPZ 40   8	43741	4x 3.2 - 6.5 mm 4x 5.0 - 10.2 mm	M 40	52 mm	8.0 mm	10
KEL - DPZ 50   8	43750	5x 5.0 - 10.2 mm 3x 7.2 - 12.5 mm	M 50	62 mm	8.0 mm	10
KEL - DPZ 50   10	43751	7x 3.2 - 6.5 mm 2x 5.0 - 10.2 mm 1x 16.0 - 22.2 mm	M 50	62 mm	8.0 mm	10
KEL - DPZ 50   12	43752	4x 3.2 - 6.5 mm 8x 5.0 - 10.2 mm	M 50	62 mm	8.0 mm	10
KEL - DPZ 50   19	43758	19x 3.2 - 6.5 mm	M 50	62 mm	8.0 mm	10

# KEL - DPZ round Cable entry plates



Type	Order No.	Number of cables	Thread metric	External diameter	Exceeds cut-out	PU
KEL - DPZ 63   9	43760	1x 3.2 - 6.5 mm 3x 5.0 - 10.2 mm 4x 9.0 - 16.2 mm 1x 16.0 - 22.2 mm	M 63	75 mm	8.0 mm	10
KEL - DPZ 63   13	43761	4x 3.2 - 6.5 mm 4x 5.0 - 10.2 mm 5x 9.0 - 16.2 mm	M 63	75 mm	8.0 mm	10
KEL - DPZ 63   35	43763	35x 3.2 - 6.5 mm	M 63	75 mm	8.0 mm	10

## Advantages

- Assembly within seconds
- High packing density
- Dual sealing of cables according IP 66
- Automatic seal and strain relief for the cable
- Suitable for standard or metric cut-outs
- Polyamide locknuts are included in the shipment

## Specification

Material	Thread frame: Polyamide
Flame class	Sealing plate: Elastomer
Protection class	UL-94 Vo, self-extinguishing
Temperature	IP 66
Properties	- 40°C to + 90°C (static)
Thread length	halogen-free, silicone-free
Cut-out dim.	14 mm
	metric standard sizes

## Accessories

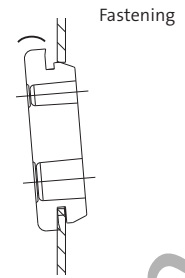
FP Flanged plates  
MP Module plates

Page 108 | 109  
Page 112



# KEL - DP 24

## Cable entry plates



Description	Type	Order No. Type A	Order No. Type B	Number of cables	PU
-------------	------	---------------------	---------------------	---------------------	----

### Product description

KEL-DP entry plates are designed for routing standard cables (without connectors). The KEL-DP products are a cost saving alternative to traditional cable glands. Either push the cable through the thin membrane or simply put a small slit in the thin membrane and push the cable through. Once the cable is through the membrane, it is immediately sealed. ST Plugs (page 29) can be used for sealing pierced membranes if cables are removed. A special fixing rib ensures a centered fit in the cut-outs.

### Advantages

- Quick and easy assembly, no tools required
- High packing density
- Cost-effective
- For wall-thickness up to 1.5 - 4.0 mm

### Specification

Material: Elastomer  
 Flame class: UL-94 Vo, self-extinguishing  
 Protection class: IP 64  
 Temperature: - 40°C to + 90°C (static)  
 Properties: halogen-free, silicone-free  
 Cut-out dimensions: 36 x 112 mm

Type A: for wall thickness 1.5 - 2.5 mm  
 Type B: for wall thickness 2.8 - 4.0 mm

### Accessories

FP Flanged plates Page 106 | 111  
 KDR1 Base plates Page 113

	KEL - DP 24   14	43512	43522	14x max. 12.1 mm	10
	KEL - DP 24   17	43514	43523	5x max. 10.5 mm 12x max. 12.6 mm	10
	KEL - DP 24   19	43516	43524	12x max. 6.5 mm 7x max. 12.1 mm	10
	KEL - DP 24   26	43518	43525	16x max. 6.5 mm 4x max. 12.1 mm 4x max. 16.1 mm 2x ASI-Leitungen	10
	KEL - DP 24   48	43519	43526	48x max. 6.5 mm	10
	KEL - DP 24   50	43520	43527	33x max. 5.3 mm 9x max. 6.4 mm 8x max. 8.3 mm	10

# KEL - DP - E

## Cable entry plates



### Product description

KEL-DP-E entry plates are designed for routing standard cables (without connectors). The KEL-DP-E products are a cost saving alternative to traditional cable glands. Either push the cable through the thin membrane or simply put a small slit in the thin membrane and push the cable through. Once the cable is through the membrane, it is immediately sealed.

ST Plugs (page 29) can be used for sealing pierced membranes if cables are removed. A special fixing rib ensures a centered fit in the cut-outs.

### Advantages

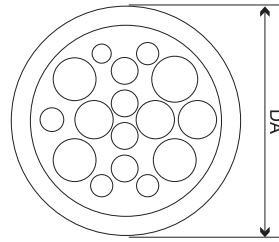
- Quick and easy assembly, no tools required
- High packing density
- Cost-effective
- For wall-thickness up to 1.5 - 2.5 mm

### Specification

Material	Elastomer
Flame class	UL-94 Vo, self-extinguishing
Protection class	IP 64
Temperature	- 40°C to + 90°C (static)
Properties	halogen-free, silicone-free

Type	Order No.	Cut-out mm	Number of cables	PU	Description
KEL - DP-E 46   7	43585	46 x 18	5x max. 8.3 mm 2x max. 6.5 mm	10	
KEL - DP-E 46   9	43587	46 x 18	8x max. 6.5 mm 1x max. 12.1 mm	10	
KEL - DP-E 86   13	43581	86 x 18	11x max. 8.3 mm 2x max. 6.5 mm	10	
KEL - DP-E 86   17	43583	86 x 18	16x max. 6.5 mm 1x max. 12.1 mm	10	
KEL - DP-E 112   16	43576	112 x 18	4x max. 6.5 mm 11x max. 8.3 mm 1x max. 12.1 mm	10	
KEL - DP-E 112   21	43578	112 x 18	16x max. 6.5 mm 4x max. 8.3 mm 1x max. 12.1 mm	10	
KEL - DP-S 69   8	43591	69 x 10 Edge radii R2	8x max. 7.5 mm	10	

# KEL - DP round Cable entry plates



Fastening



2

## Product description

KEL-DP entry plates are designed for routing standard cables (without connectors). The KEL-DP products are a cost saving alternative to traditional cable glands. Either push the cable through the thin membrane or simply put a small slit in the thin membrane and push the cable through. Once the cable is through the membrane, it is immediately sealed. ST Plugs (page 29) can be used for sealing pierced membranes if cables are removed. A special fixing rib ensures a centered fit in the cut-outs.

## Advantages

- Quick and easy assembly, no tools required
- High packing density
- Cost-effective
- For wall thickness up to 1.5 - 4.0 mm

## Specification

Material	Elastomer
Flame class	UL-94 Vo, self-extinguishing
Protection class	IP 65
Temperature	- 40°C to + 90°C (static)
Properties	halogen-free, silicone-free
Cut-out dimensions	metric standard sizes
Type A:	for wall thickness 1.5 - 2.5 mm
Type B:	for wall thickness 2.8 - 4.0 mm

## Accessories

KEL-AD Cap for attachment housing	Page 42
FP Flanged plates	Page 108   109

Typ	Best.Nr. Typ A	Best.Nr. Typ B	Anzahl Leitungen	Ausbruch	Außendurch- messer DA	VE
KEL - DP 25   4	43533	-	4x max. 8.0 mm	ø 25	32 mm	10
KEL - DP 25   6	43531	-	4x max. 5.2 mm 2x max. 9.4 mm	ø 25	32 mm	10
KEL - DP 32   10	43532	43560	6x max. 5.2 mm 2x max. 6.4 mm 2x max. 9.4 mm	ø 32	38 mm	10
KEL - DP 50   9	43554	43568	5x max. 7.0 mm 4x max. 18 mm	ø 50	60 mm	10
KEL - DP 50   11	43555	43569	7x max. 7.2 mm 3x max. 11.2 mm 1x max. 22.5 mm	ø 50	60 mm	10
KEL - DP 50   12	43551	43562	10x max. 9.2 mm 2x max. 11.2 mm	ø 50	60 mm	10
KEL - DP 50   16	43550	43564	4x max. 5.3 mm 5x max. 6.3 mm 3x max. 9.5 mm 4x max. 11.3 mm	ø 50	60 mm	10
KEL - DP 50   18	43553	43567	5x max. 5.3 mm 5x max. 6.3 mm 4x max. 7.2 mm 2x max. 6.0 mm	ø 50	60 mm	10
KEL - DP 50   20	43552	43566	16x max. 6.3 mm 4x max. 9.3 mm	ø 50	60 mm	10
KEL - DP 50   35	43556	43570	35x max. 5.2 mm	ø 50	60 mm	10



## KEL - DPF Cable entry inserts



### Product description

The KEL-DPF was developed particularly for routing supply cables into the switch cabinet.

Due to the flexibility and unique pyramid shape, cable entry and positioning is much easier compared to using conventional cable glands.

#### Cutting of DPF inserts:

- Cable diameter less 5 mm
- The corresponding diameters are marked on the insert

### Advantages

- Assembly within seconds
- It is possible to install rigid cables at angles
- Suitable for standard or metric cut-outs
- Polyamide locknuts are included in the shipment

### Specification

Material	Thread frame: Polyamide Pyramid: Elastomer
Flame class	UL-94 Vo, self-extinguishing
Protection class	IP 66
Temperature	- 40°C to + 90°C (static)
Properties	halogen-free, silicone-free
Thread length	14 mm
Cut-out dimensions	metric standard sizes

### Accessories

MP Module plates

Page 112

Type	Order No.	Thread metric	External dimension	Clamping range	PU
KEL - DPF 25   3-17	42652	M 25	39 mm	3 - 17 mm	5
KEL - DPF 32   6-24	42653	M 32	46 mm	6 - 24 mm	5
KEL - DPF 40   11-32	42654	M 40	54 mm	11 - 32 mm	5
KEL - DPF 50   17-42	42655	M 50	64 mm	17 - 42 mm	5
KEL - DPF 63   23-55	42656	M 63	77 mm	23 - 55 mm	5

# KEL - JUMBO flex

## Cable entry inserts



Description	Type	Order No.	Clamping range	PU
-------------	------	-----------	----------------	----

### Product description

The KEL-JUMBO flex is a flexible cable entry system for standard cables with a diameter range from 27 - 68 mm.

They are ideal for the routing supply cables into the switch cabinets.

Cutting of KEL-JUMBO flex inserts:

- Cable diameter less 5 mm
- The corresponding diameters are marked on the insert

### Advantages

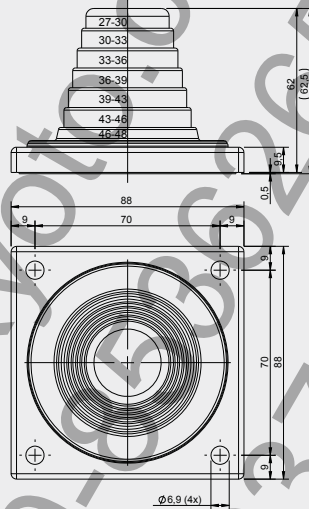
- Assembly within seconds
- Inserts allow dynamic and flexible movement of rigid cables
- Small installation dimensions (88 x 88 mm)

### Specification

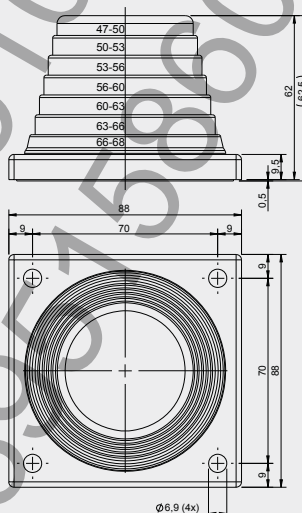
Material	Frame: Polyamide Inserts: Elastomer
Flame class	UL-94 Vo, self-extinguishing
Protection class	IP 54
Temperature	- 40°C to + 90°C (static)
Properties	halogen-free, silicone-free
Cut-out dimensions	round, $\varnothing$ -cable + 20%

### Accessories

MP Module plates	Page 112
BP Blind plates	Page 114



KEL - JUMBO flex 27-48	42614	27 - 48 mm	1
------------------------	-------	------------	---



KEL - JUMBO flex 47-68	42616	47 - 68 mm	1
------------------------	-------	------------	---

# KEL - ULTRA flex

## Cable entry inserts



### Product description

The product line KEL-ULTRA flex is designed as a cable entry system for power supply cables or any cable or conduit that is difficult to manage. The KEL-ULTRA flex comes in two sizes and is good for routing and sealing cables and conduits with a diameter from 25 to 115 mm. Inserting large, thick cables is easier than using standard cable glands due to the high flexibility of the KEL-Ultra Flex elastomer pyramid.

After inserting the cable or conduit, the KEL-ULTRA flex is quickly and easily mounted with the metal ring and screws. The metal ring enables a circular fixing and sealing of the insert at the enclosure wall. The metal ring is supplied with each KEL-ULTRA flex.

### Advantages

- Assembly within seconds
- Inserts allow dynamic and flexible movement of rigid cables
- Protection class IP66

### Specification

Material	Insert: Elastomer Fixing metal ring: Steel, zinc-plated Blind plate: Steel, zinc-plated
Flame class	UL-94 Vo, self-extinguishing
Protection class	IP 66 (when fastened with 8 screws)
Temperature	- 40°C to + 90°C (static)
Properties	halogen-free, silicone-free
Cut-out dimension	ø-cable + 30%, max. ø 140mm

### Accessories

MP Module plates	Page 112
BP Blind plate	Page 115

Type	Order No.	Sealing range	PU
KEL-ULTRA flex 1 incl. Fixing screws	42630	25 - max. 90 mm cable diameter	1
KEL-ULTRA flex 2 incl. Fixing screws	42631	75 - max. 115 mm cable diameter	1